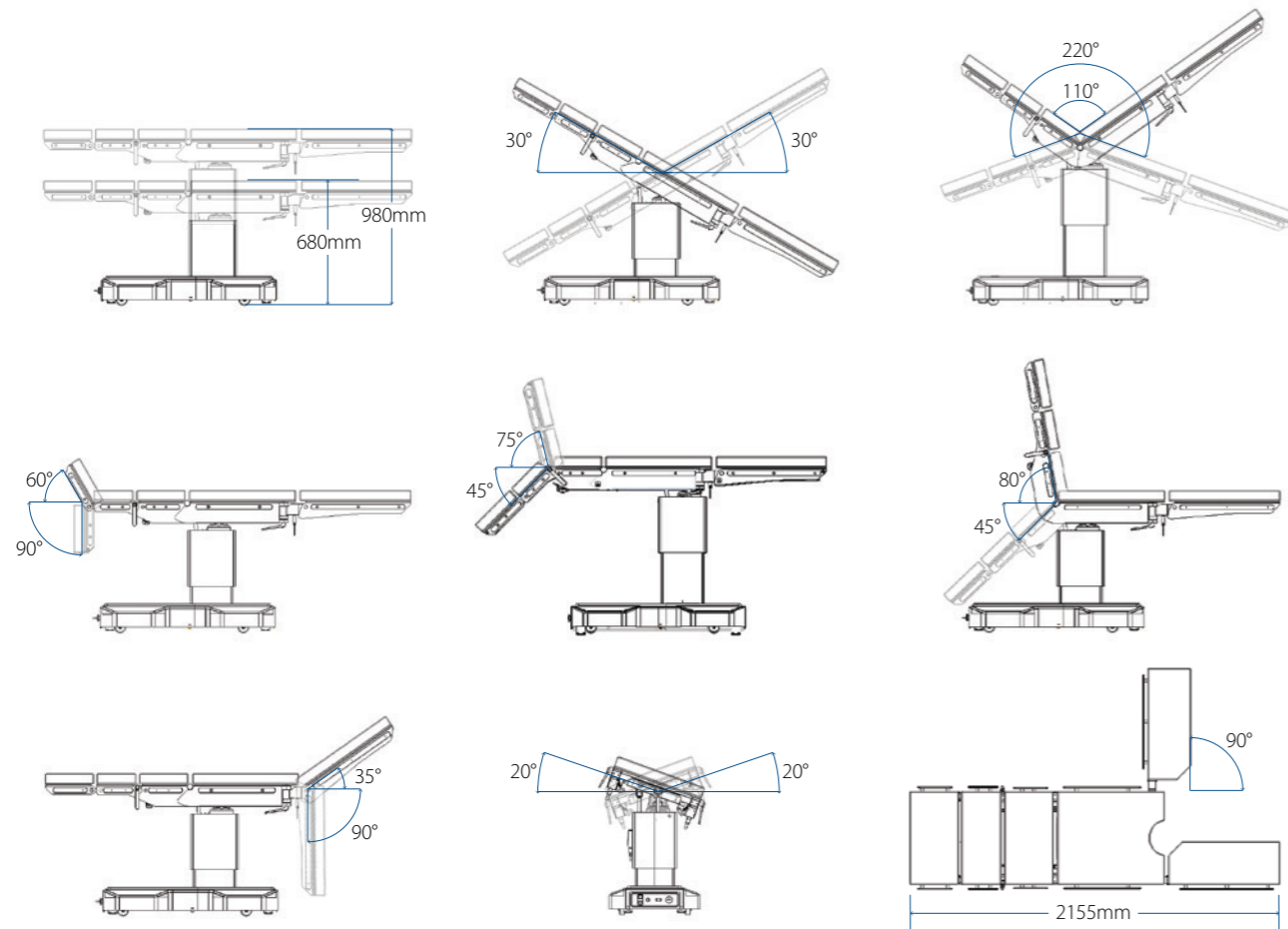


Technical Data			
Length	2155mm±50mm	Upper back plate up	max75°±5°
Weight	280kg±10kg	Upper back plate down	max45°±5°
Battery	24V,15Ah, Rechargeable	Back plate up	max80°±5°
Width	540mm±50mm (excluding rails)	Back plate down	max45°±5°
High	680mm~980mm±50mm (excluding mattresses)	Leg plate up	max35°±5°
Maximum height	980mm±50mm	Leg plate down	max90°±5°
Minimum height	680mm±50mm	Leg plate outward angle	0°~90°±5°
Lateral translation	Maximum 320mm±10mm	Lifting height	0~300mm±10mm
Trendelenburg	max30°±5°	Bearing load	250kg
Leg up/down	max30°±5°	Control function	Handheld tool, Side panel
Tilt left/right	max20°±5°	Forward buckling	220°±5°
Head plate up	max60°±5°	Reverse buckling	110°±5°
Head plate down	max90°±5°	Brake resistance	200N

COMEN



W5 Operating Table

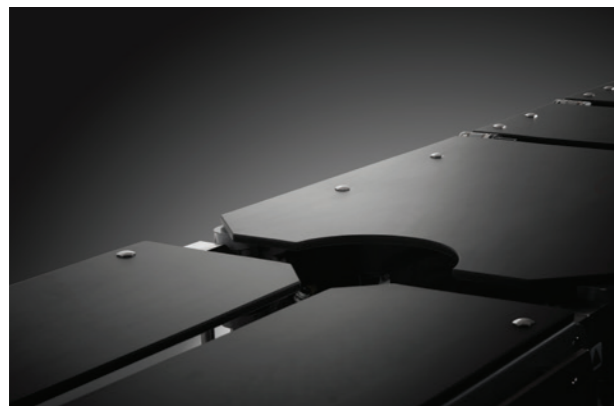
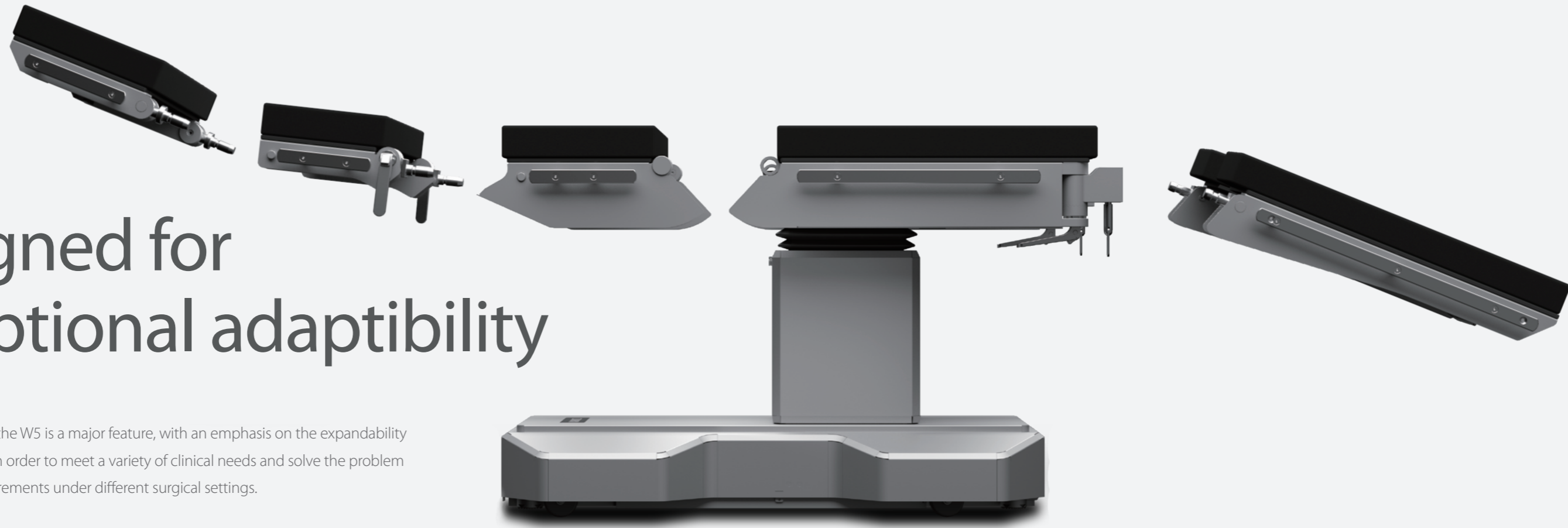


Shenzhen Comen Medical Instruments Co., Ltd.
 Add: No.2 of FIYTA Timepiece Building, Nanhuan Avenue, Matian Sub-district,
 Guangming District, Shenzhen, 518106, Guangdong, China.
 Tel:+86-755-2643 1236 400-700-9488 Fax:+86-755-2643 1232
 Website: en.comen.com E-mail: info@szcomen.com

P/N: EN-W5-12P-20210720-V1.1

Designed for exceptional adaptability

The modular design of the W5 is a major feature, with an emphasis on the expandability of the operating table in order to meet a variety of clinical needs and solve the problem of special posture requirements under different surgical settings.



The plates made of hexakis (methoxymethyl) melamine are able to meet the needs for most orthopaedic surgeries, while also achieve an X-ray filtration of $\leq 1\text{mmAL}$.



When it comes to quality, we do not compromise. The W5 uses high quality Grade 304 Stainless Steel that is further treated to provide the entire frame with greater strength and resistance to corrosion.



Understanding that the weight limitations of leg plates are a drawback in most operating tables, our R&D team brings to you upgraded leg plates that are able to withstand up to 60kg. An alarm is automatically activated if this weight threshold is exceeded.



Things can get messy and hectic in the operating room, so in order to avoid any accidents, the W5 is equipped with a safety feature that ensures that the system automatically locks itself after 60 seconds of idle time.

Operational stability through assured hardware quality

The W5 utilises Electro-hydraulic technology to provide high weight-bearing capacity to the operating table without compromising on ergonomics. It moves fluidly and quietly, while retaining flexibility and durability.

We believe in Safety and Stability

- ✔ 1,250 kg static load test;
- ✔ 550 kg dynamic load test;
- ✔ 18,000 times load motion test;
- ✔ 10-year life span test;
- ✔ Manual upper backboard 10,000 times exercise test
- ✔ Head board 10,000 times movement test;
- ✔ Leg board 5000 times exercise test;
- ✔ Circuit board stress test

Operate with our User-friendly Design, Because we care

Maintaining an orderly and mess-free operating environment is crucial to the work efficiency in ORs. To relieve medical staff of this unnecessary workload, our unique pipeline manager serves as an effective way to organize and store wires or tubing connected to monitors or anesthesia machines.



In order to avoid pressure sores, the W5 is equipped with a 60mm antistatic memory mattress. The mattress is composed of waterproof and antistatic stretch cloth, low-density memory foam, high-density memory foam, and waterproof and antistatic synthetic fiber cloth.



Care, Comfort, Convenience

Both the wired controller and the control panel on the table are always on standby. In the event where either one of these controllers malfunction, our failsafe allows the other to continue functioning normally. The W5 also supports the integration of auxiliary control through the OR central control panel.

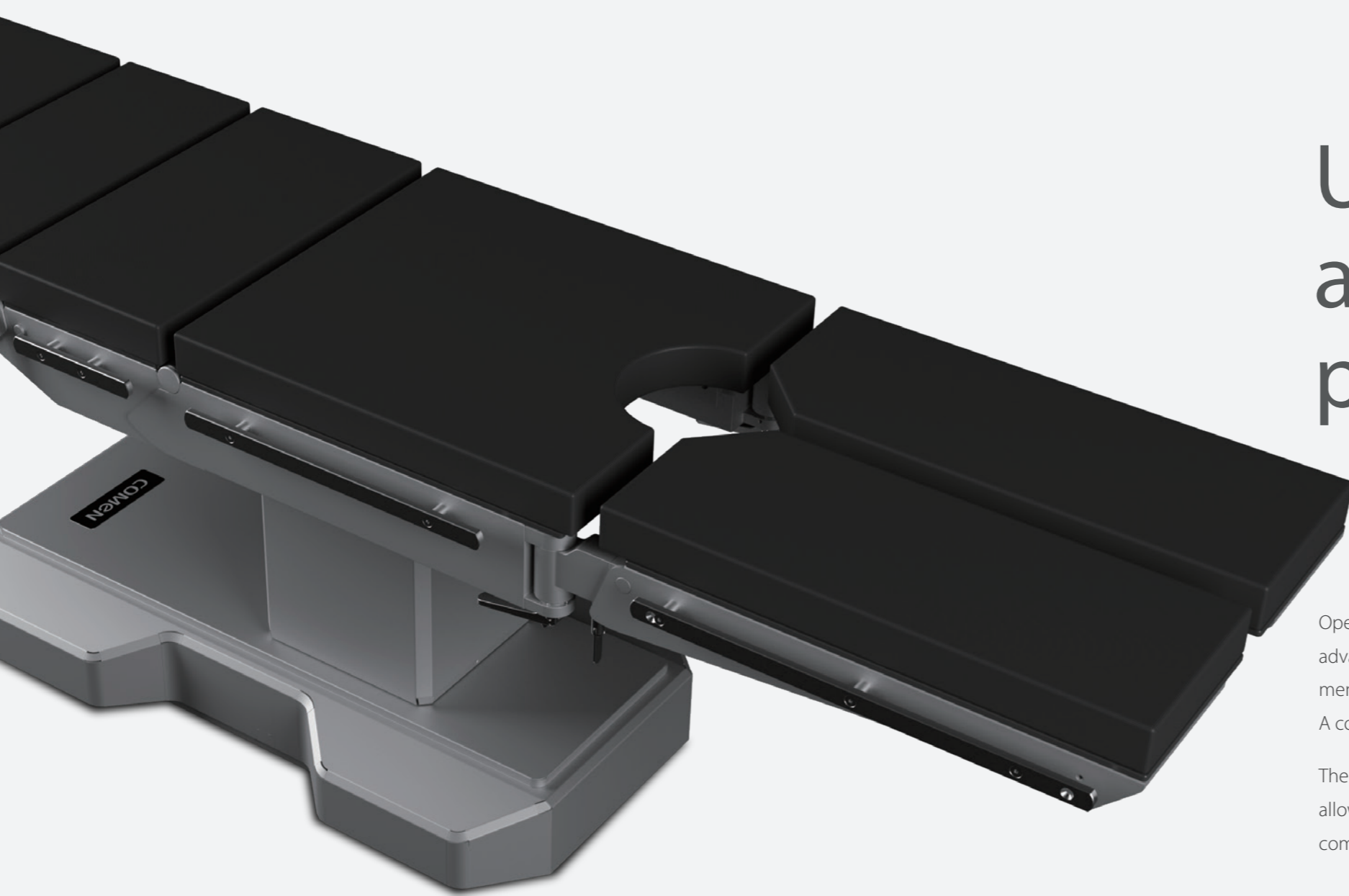
The extra-long side rails facilitate the installation of leg supports, providing the patient with extra comfort during lithotomic surgeries.

The mechanical handle allows for convenient adjustment of the table angle in most clinical settings.

To avoid the loss of parts, we merged our support armbands together with the straps.

The shoulder support frame is retractable, allowing for more flexible adjustment to accommodate multiple surgical positions.

The universal lifting bracket is equipped with a screw lock for easy maneuvering.



Unequaled flexibility and adjustability in patient positioning

Operating rooms of the past required the use of specific tools or equipment, but the constant advancement in the medical sector has given rise to a large number of newfound surgical requirements. In order to cater to these requirements, a more universal and comprehensive OR is needed. A comprehensive surgical table is a major component of the modern OR.

The COMEN W5 boasts the widest range of rotational angles among products of the same level, allowing for more precise patient orientation and positioning to accommodate even the most complex surgical procedures.



The expansion of the back plate



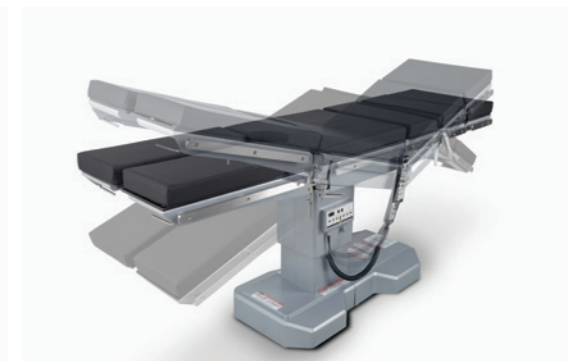
The reverse mode



Double back plate waist bridge



One-button forward/reverse buckling



One-button reset



Laparoscopic surgery



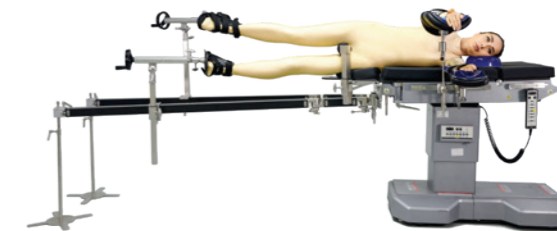
Thyroid surgery



Column stabilization



Hip surgery with traction device in carbon fibre



Femur surgery



Shoulder surgery



Shoulder surgery in beach chair position



Lithotomic surgery



Hip surgery in lateral decubitus



Spine surgery in prone decubitus



Skull surgery in supine decubitus

In addition to the W5 operating table, we also provide comprehensive operating room solutions, including hardware such as anesthesia machines, monitors, laryngoscopes, ceiling pendants, etc., as well as platforms for video integration, teaching demonstration, remote interaction, and information management. Be it teaching hospitals, scientific research, diagnosis and treatment work, we tailor to your individual needs, because we got your back.

With a wide array of available accessories and postural pads, the W5 can support orthopedic, cardiovascular, extradural, spinal, facial features, liver and kidney, urinary and other operations.

